

THANK YOU For Choosing this Product

We hope it will provide you with years of trouble-free service. Please look after your **Endo-one VisionHD Champ**
If you encounter problems about using this device, please contact our dealer or support team.



swift MEDI ELEC SOLUTIONS

10/812-B, SHIVANAND NAGAR, SECTOR- 3, RAIPUR- 492008 (CHHATTISGARH)

© :+91-98261 71056, 79879 19911 E-mail : swift.mes@gmail.com

The perfect low cost way to capture professional SD and HD videos.



ENDO-ONE
VISION HD
3-in-1 HD RECORDER *Champ*





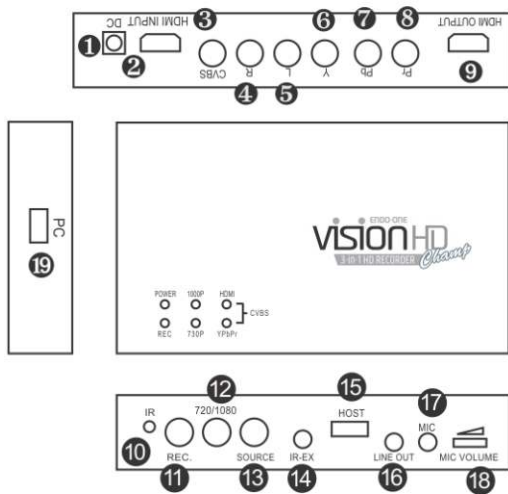
Quick Start Guide

Thanks for purchasing ***Vision HD Champ (3-in-1 HD Recorder)***. The following guides you how to set up. Hope this device will bring you nice digital experience.

With this ***Vision HD Champ (3-in-1 HD Recorder)***, you can capture up to 1080p video from

HDMI, Ypbpr (component) or composite port, such as endoscopic camera system, set-top-box, computer, game box, VHS, etc.

There is schedule record function for ***Vision HD Champ (3-in-1 HD Recorder)***.



Features/ports and buttons:

1. **POWER** - DC 5V2A power supply.
2. **HDMI IN** - HDMI input.
3. **CVBS** input.
4. **Audio R** input.
5. **Audio L** input.
6. **Y** signal of component input.
7. **Pb** signal of component input.
8. **Pr** signal of component input.
9. **HDMI OUTPUT** – By pass the input video source to monitor.
10. **IR remote** receiver.
11. **REC BUTTON** - Press to record, press again to stop recording.
12. **720/1080** - To change the recorded quality between 720P and 1080P.

1. **POWER** - DC 5V2A power supply.
2. **HDMI IN** - HDMI input.
3. **CVBS** input.
4. **Audio R** input.
5. **Audio L** input.
6. **Y** signal of component input.
7. **Pb** signal of component input.
8. **Pr** signal of component input.
9. **HDMI OUTPUT** – By pass the input video source to monitor.
10. **IR remote** receiver.

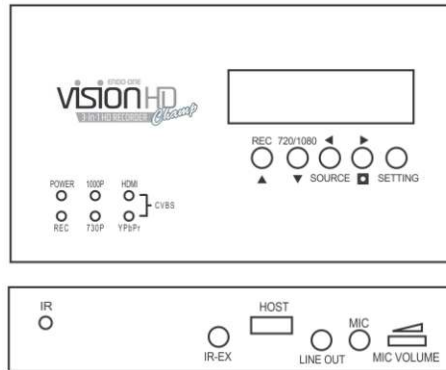
For the LED on the top panel :

POWER - Turns on when powered.

REC - Turns on when recording.

1080p/720p - Shows the recording quality between 1080p and 720p, controlled by 720/1080 button.

HDMI/YPBPR/CVBS - Shows the input source (both two LED on means CVBS input), controlled by source button.



Remote controller :

REC/STOP - Start and stop recording.

720P - Change record quality to 720P, only effect when Input source is more than 720P

1080P - Change record quality to 1080P, only effect when input source is 1080p

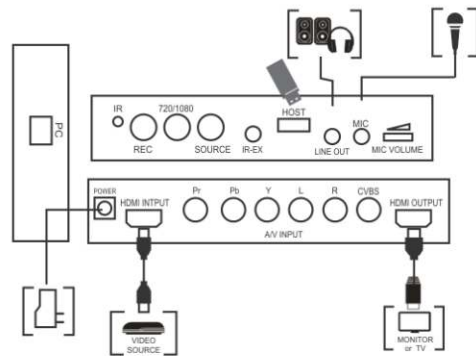
CVBS/YPbPr/HDMI - Select input source.

SNAPSHOT - To capture one still image with one press. Won't work during recording.



Connections :

Vision HD Champ (3-in-1 HD Recorder) have 3 input modes : HDMI, component, composite. And it will automatically recognize the input video source, and you can also select it with **"SOURCE"** button if you connect more than two source at same time.

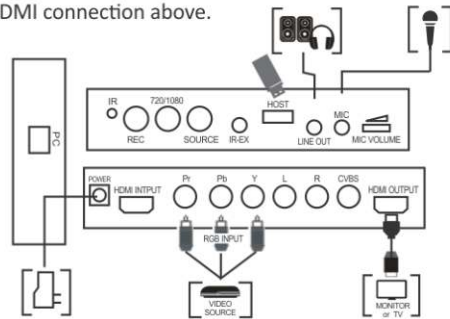


Connect with HDMI input source :

1. Connect power with DC adapter
2. Plug an USB disk.
3. Use DVI to HDMI / HDMI to HDMI cable to connect recorder with HD camera system or other video source.
4. With HDMI to HDMI cable to connect any monitor to see live preview.
The HDMI output also has audio output.
5. The "LINE OUT" is for connect to speaker or earphone, it's not necessary if you don't need, because the HDMI output is also with audio output.
6. You can connect your microphone to record your comment during video recording. Use this function if you need it.

Connect with Ypbpr (component) video source :

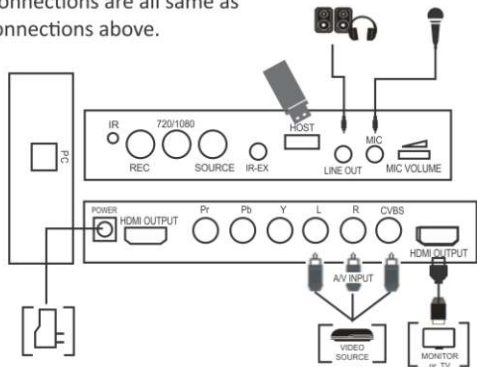
1. Use the adapter cable to connect component (red, blue, green), just don't mixed the red with the audio cable (the audio cable red and white will be separated with component)
2. The other connection will total same as HDMI connection above.



Connect with composite (A/V) video source :

1. Connect the composite (yellow video cable and red-white audio cable) to your video source with the adapter cable. You can also use "S-video male to RCA male yellow cable".

2. The other connections are all same as HDMI input connections above.



Record :

After connection is ready (no matter composite, component, or HDMI), you should see the pass through video on the Monitor/TV screen. You will see the green power indicator on.

The 720P/1080P quality LED will show on 1080P default if the input source is 1080P, means on 1080P file recording, you can press the "720/1080" button to set it to 720P, then the 720P LED shows on, means the recorded file will be 720P. If the input source is under 1080P, then the LED only shows on 720P, and the "720/1080" button will not take effect, means only record 720P or under 720P file (base on input quality). Record quality also can set by remote controller.

The source LED (HDMI/YPbPr/CVBS) will on according the input source (both on for CVBS). Both LED will be flash if there is no video input or the input video with problem. You can press "source" button or remote controller to set the input source if there is more than two source at same time.

To record video is very simple --- press the **REC** (record) button (or remote controller), then you will see the **REC** indicator turns on, it means now

After connection is ready (no matter composite, component, or HDMI), you should see the pass through video on the Monitor/TV screen. You will see the green power indicator on.

The 720P/1080P quality LED will shows on 1080P default if the input source is 1080P, means on 1080P file recording, you can press the "720/1080" button to set it to 720P, then the 720P LED shows on, means the recorded file will be 720P. If the input source is under 1080P, then the LED only shows on 720P, and the "720/1080" button will not take effect, means only record 720P or under 720P file (base on input quality). Record quality also can set by remote controller.

The source LED (HDMI/YPbPr/CVBS) will on according the input source (both on for CVBS). Both LED will be flash if there is no video input or the input video with problem. You can press "**source**" button or remote controller to set the input source if there is more than two source at same time.

To record video is very simple --- press the **REC** (record) button (or remote controller), then you will see the **REC** indicator turns on, it means now recording.

Use **SNAPSHOT** button of remote controller, you can get a still image by one

press, but it is only work when NOT recording.

Recording comments during video recording : If you connect a Microphone to **MIC** port, you can record comments with video, and you can adjust the volume by the switch.

There are several reasons for no actions when press record button, you may need check:

1. The input video source disconnected.
 2. The USB flash (Pen drive/HDD) is out of memory.
 3. **Vision HD Champ (3-in-1 HD Recorder)** support FAT, FAT32, and NTFS format. The exFAT format is not supported.
 - 4, The USB flash is not connected well.
 - 5, The USB flash is not ready, normally, it will take 4-8 seconds after plug it on.
- To stop recording, just press the button again, will see REC indicator flash few seconds then turns off, means the record is stop, now you can take off your USB flash.

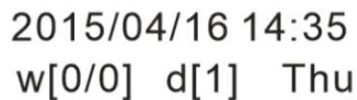
Note: please do not take the memory off when the indicator is flashing.

The recording will automatically stop if the USB flash out of space.

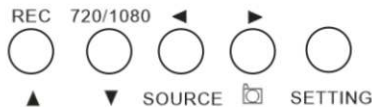
After stop recording, connect the USB flash to computer will see the recorded files: for 1080P recording, file will be Encode_1080P_1, for 720 or 480p

Schedule Setting :

The schedule function for *Vision HD Champ (3-in-1 HD Recorder)* is operated by a LCD screen and 5 buttons. You can set schedule based one day or in a week, one day task only execute one time, week task will be repeat executed.



2015/04/16 14:35
w[0/0] d[1] Thu



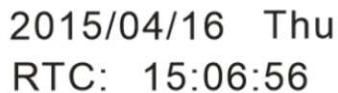
The default of screen we can see two lines: First line is current date and time.

For the second line of default menu:

W[0/0] : The “w” means week, this menu shows how many task in a week (week schedule). The first “0” means if there is task today, “0” means no task, “1” means with task today. The second “0” means how many task in a week, numbers between “0~7”, 0 means no task in a week, 3 means there is 3 days with task in a week, 7 means 7 days all with task a week.

d[1] : The “d” means day, this menu shows if there is a day task, “0” mean no, “1” means yes.

Thu : Shows the day of the week.



2015/04/16 Thu
RTC: 15:06:56

Normally the current date and time is set right in factory. But if it need be reset, you can do as following:

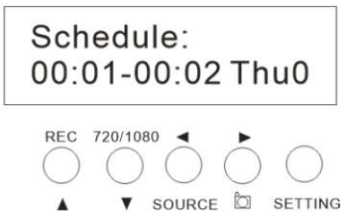


1. Long press the setting (more than 3 seconds), you will see the setting interface:
The first flash character will be at the year "2015", use up ▲ down ▼ to set it.
2. Then use left and right ◀▶ button to month or date or time, and set them.
Press setting button after setting down. The screen will shows default menu.

Setting week schedule task:

Short press "SETTING" button, will come up following screen:
00:01-00:02 shows the start and end time for recording, use up/down and left/right button to set it.

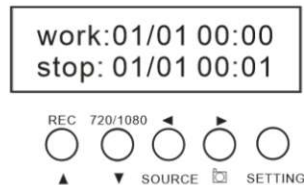
Thu0 : The "Thu" mean the date of week, when use left/right button to flash here, we can change it from Mon (Monday) to Sun(Sunday). The "0" is for



if the task is turns on for the day. There are three options "0", "R" "-"
"0" means one time execute
"-" means not execute.
"R" means repeat execute
 For example : if you set Mon-, Tue0, WedR, ThuR, Fri-, Sat0, Sun0. Then mean Monday Friday no recording task. Tuesday, Saturday, Sunday with recording task, but only execute one time. Wednesday Thursday with task and will execute repeat every week.

Setting day schedule task:

Day schedule task only execute one time in a specified day. Short press "SETTING" button two times, will come up following screen: "work: 01/01 00:00" 01/01 is date, 00:00 is time. "work" means the time start from. "stop: 01/01 00:00" "stop" mean the time stop at.



Firmware and others :

1. Update firmware : you may be need update firmware for this device for some reason.

Copy the firmware file in to USB disk or SD card, power off the device (unplug power jack), plug USB disk to device, power on, the indicator will flash 7~8 seconds, and become blue, it means the update is finished.

2. After long time using, you will see the number of recording file become too big, for example Encode_1080P_234, but you want it be start from Encode_1080P_0, to do it you just keep press record button (before power on), then plug the power jack to power on the device, after 3 seconds, the file number will start from 0.

3. Change the date: you may find out that the date of the recorded file is not synchronous with your local time. To change the time of *Vision HD Champ (3-in-1 HD Recorder)*, you need create a TXT file name "**rtc_setup**" (It should be in including software

CD) , type your local date and time with following format (for 2014 July 31 11:00:00):

/:2014

/:7

/:31

/:11

/:00

/:00

/:0

Should be exactly same format as it (first line be year, second line be month..etc, end with /:0 , each line with start "/:"), and save it.

Then copy the rtc_setup file to a SD card or USB flash, connect to ezcap281 then power on, then the time is set ready.

Connections :

Interface	USB 2.0 Host
Video Input	Digital: HDMI
	Analog: Component Video, Composite Video
Audio Input	Digital: HDMI
	Analog: 3.5mm MicroPhone In, RAC L/R input
	Note: Microphone without pass through fo HDMI input
Video Output	Digital: HDMI (Pass-through from HDMI or Component or Composite Input)
Audio Output	Digital: HDMI (Pass-through from HDMI or RCA L/R Input)
	Analog: 3.5mm Stereo (Pass-through from HDMI or RCA L/R Input)

Hardware Extra

Codec	Hardware H.264 encoder
User Interface	Record button, 720p/1080p switch button, source change button. Vision HD Champ (3-in-1 HD Recorder) with 5 more buttons for setting time and schedule.
	LED indicator for working status. Vision HD Champ (3-in-1 HD Recorder) with LCD screen for show time and schedule status
	Infrared receiver and 3.5mm expand port for remote controller
	Volume adjust button for microphone
Dimensions	155(L) × 92(W) × 30(H) mm
Weight	365g

Standards

Storage Media	USB Flash Disk, Portable Hard Disk
	Max Capacity: USB / 2TB Note: The exFAT format is not supported.
Resolution	Input / Pass-through: 720 x 480 (60p), 720 x 576 (50p), 1280 x 720p (50p), 1280 x 720p(60p), 1920 x 1080 (50i), 1920 x 1080 (60i), 1920 x 1080 (24p), 1920 x 1080 (25p), 1920 x 1080 (30p), 1920 x 1080 (50p), 1920 x 1080 (60p)
	Capture: 720 x 480 (60p), 720 x 576 (50p), 1280 x 720p (50p), 1280 x 720p(60p), 1920 x 1080 (50i), 1920 x 1080 (60i), 1920 x 1080 (24p), 1920 x 1080 (30p), 1920 x 1080 (25p)
	Note: Up scaling is not supported.
Record Format	Video: MP4, Audio: AAC Stereo
Record Quality	Max: 18Mbps@1080P 30fps
Record File	Max: 2GB / Per File, With RTC (Real Time Clock)
Record Place	Max: 140MB / Minute, 8.4GB / Hour
Power Supply	USB DC 5V / 2A

Package Contents

Device - Vision HD Champ (3-in-1 HD Recorder)

Others- DC power adapter, remote control, remote expand cable, DVI to HDMI Cable or HDMI to HDMI Cable, User Manual.