

# Full HD Video Recorder for Surgical Procedures



Upgraded  
Version

## ENDO-ONE VISIONHD+

### Record Video the Easy Way!

VisionHD+ makes recording video easier than ever. You can record high definition video from virtually any medical video device including Endoscopes, Arthroscopes, Surgical Cameras, Ultrasounds etc. Records up to 1080p @60fps video into USB stick or Hard Disc by one push, PC not needed, with microphone input, it allows surgeon to record live voice from microphone with video together.

### Highest Quality Video

VisionHD+ high performance hardware and advanced compression algorithms provide the medical industry's clearest videos and images. Every pixel of every frame is captured with the truest possible fidelity.

### Universal Compatibility

VisionHD+ recorder can be paired with virtually all makes and models of SD/HD/4K medical cameras through HDMI/Composite/Component/VGA cable. Recorded videos can be viewed on any modern computer, laptop, tablet or mobile.

### Compact File Size

VisionHD+ also saves video in the H.264/MP4 format that offers the industry's highest quality HD images with the most compact file size.

Full HD Video Recording,  
upto 1080p@60fps

Take Snapshot  
During Recording

Record 4K Video  
in 1080p



# Key Features & Specifications

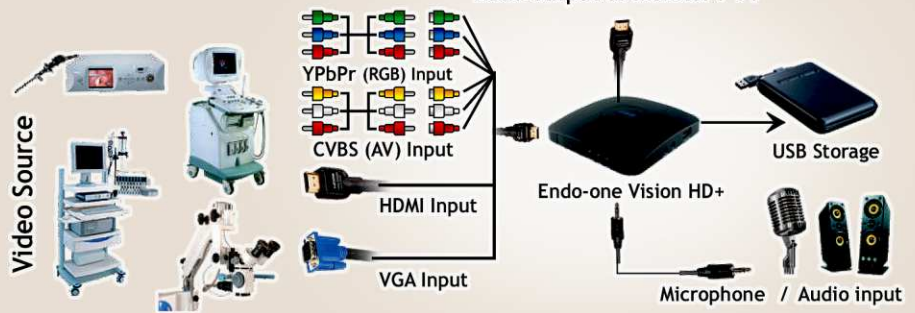
- Direct real time video records in external USB flash drive or HDD.
- Video standard input : NTSC, PAL, PAL-60
- Support NTFS/FAT32/exFAT format and USB 2.0 Host.
- HDMI, Composite (CVBS), Component (YPbPr), VGA Input
- Also with Line In, Line Out & MIC in, can record video with voice/audio together.
- 1080p @60fps recording with one-click, no PC required. Easy to use, no any set-up.
- LED indicator light for recording (Blue means device is recording videos in 1080p, while Green means it is recording videos in 720p or others).
- Take snapshot during Recording.
- HDMI 1080p video output without latency to Monitor/TV with HDMI interface. You can see live recording & Play HD videos when you're recording it.
- Portable design : 4.3 x 4.3 x 0.6 inches.
- Maximum storage capacity : 2TB (HDD), 32GB (Pen drive).
- Recording data bite rate up to 18Mbps.
- Automatically split the video up to 4GB/16GB per file.
- Output Formats : Video- MP4 (H.264), Audio- AAC, Image-JPG
- Power supply : 12V/1.5A.

# Video Resolution

Input	4K (3840x2160 30p), 1920x1080 (60p, 50p, 30p, 25p, 24p, 1920x1080 (60i, 50i) 1360x768 (60p), 1280x1024 (60p), 1280x720 (60p), 1280x768 (60p), 1280x800 (60p), 1024x768 (60p), 720x480 (60i, 50i, 60p), 640x480 (60p), 720x576 (50p).
HDMI Output	1920x1080 (60p)
Recording	1920x1080 (60p), 1280x720 (60p), 1024x768 (60p), 1280x1024 (60p), YUV420, YUV422, YUV444, RGB444.



HDMI output to Monitor / TV



ENDO-ONE  
**VISION HD+**



**swift** MEDI ELEC SOLUTIONS

10/812-B, SHIVANAND NAGAR, SEC.- 3, RAIPUR- 492008 (CHHATTISGARH)

☎ :+91-98261 71056, 79879 19911 | E-mail : swift.mes@gmail.com | Website : swiftmedi.co.in

